

### FITTING KIT

- A OS-HEEL PLATES x 2
- B DOUBLE OS-RACK LOOP x 2
- C SINGLE OS-RACK LOOP x 2

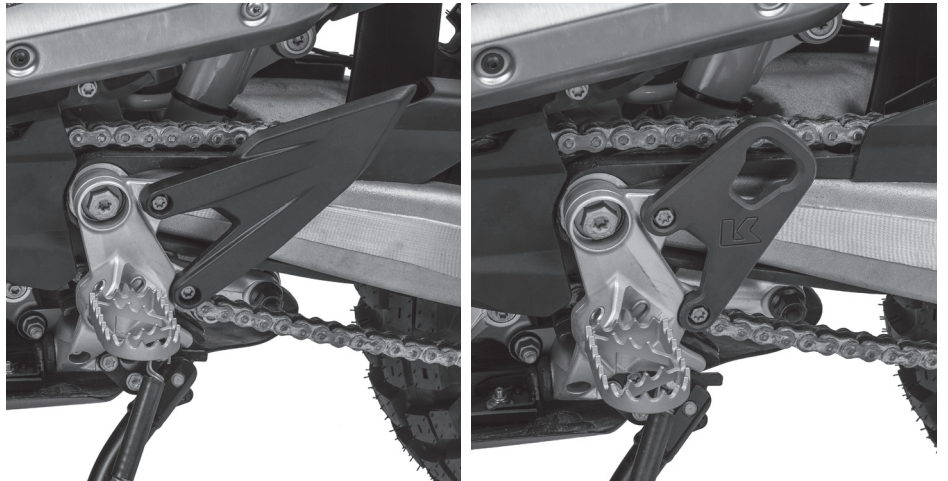


### TOOLS REQUIRED

- T40 Hex Key
- 6mm Drill bit + Drill
- 3mm Allen Key
- Thread Lock

**BEFORE YOU CAN FIT THE OS-BASE TO THE BIKE YOU WILL NEED TO INSTALL THE MOUNTING HARDWARE.**

1. Remove the OEM heel guards and replace with the OS-HEEL PLATES re-using the existing bolts.



### 2. FIT THE OS-RACK LOOPS

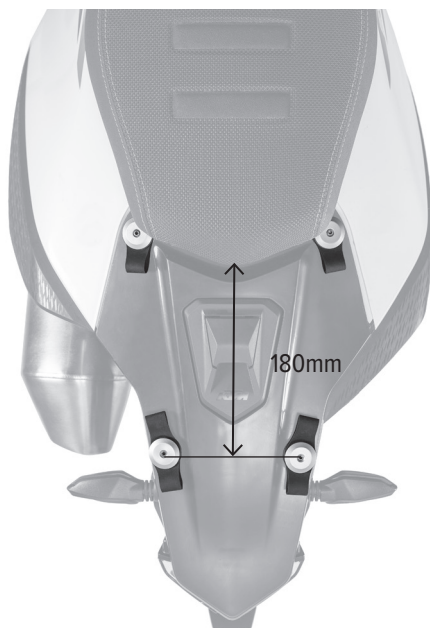
Remove the seat to get access to the top rear fender mounting bolts, depending on the bike model there may also be mounting bolts underneath. Remove the rear fender and drill the 2 x 6mm holes furthest away from the seat, in the approximate positions as illustrated below. Mount the DOUBLE OS-RACK-LOOPS as described on the back page.

Drill another 2 x 6mm holes for the SINGLE OS-RACK LOOPS as near to the seat as possible (see illustration below). For the Husqvarna 701 you will also need to remove the side panels to get access to the underside. Use the pre-marked grab handle drilling indicators as the locations to drill.

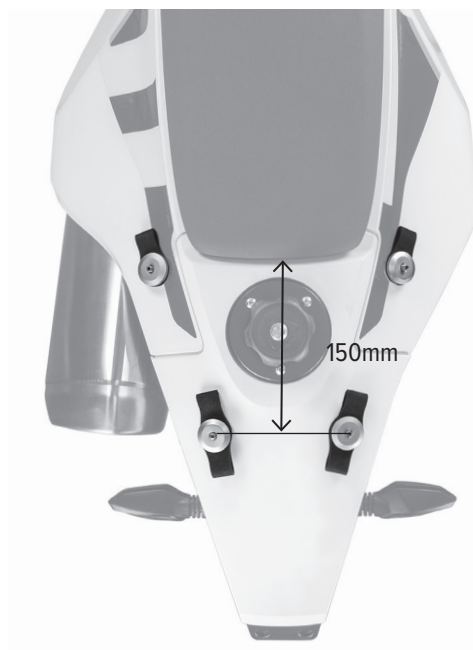
Once you have mounted all the OS-RACK LOOPS replace the rear fender and side panels. You are now ready to mount the OS-BASE.

**IMPORTANT: BIKE PLASTICS MUST BE REMOVED BEFORE DRILLING**

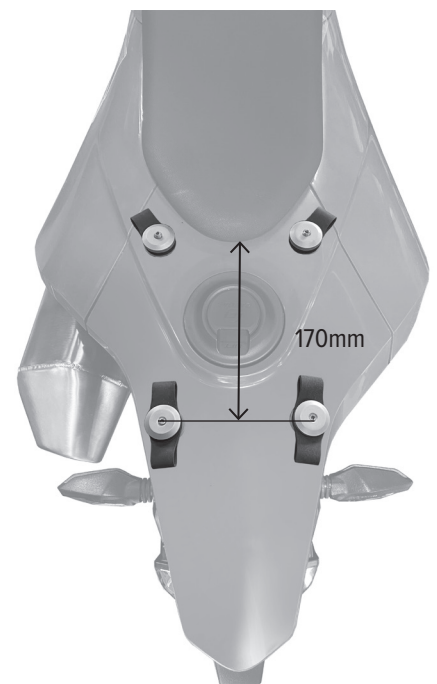
**KTM 690 ENDURO**



**HUSQVARNA 701**



**GASGAS 700**



## FIT A PAIR OF OS-ADVENTURE PACKS TO THE OS-BASE BEFORE INSTALLING THE COMPLETE SET-UP ON THE BIKE.

Choose a pair of OS-PACKS to meet your carrying capacity requirements:

- 2 x OS-6 = 12 litres
- 2 x OS-12 = 24 litres
- 2 x OS-18 = 36 litres

The modular system allows packs to be changed to a different size at a later date. There are also options to add an additional centre pack or mount one of the OS-PACKS as a stand alone pack for single day rides without the OS-BASE. (see back page for more details)



To fit an OS-PACK start by threading the roll-top quick release strap through the top loop. (see **fig A**)

Push the top 2 loops on the rear of the bag through the top 2 slots on the OS-BASE and hook-on the compression straps.

Push the bottom 2 loops on the rear of the bag through the corresponding 2 slots on the OS-BASE depending which size pack and hook-on the compression straps.

Then repeat on the other side. Once the OS-PACKS are connected, you have your SET-UP ready to fit onto the bike.

**fig A**



**TOP LOOP**



**EXAMPLE OS-6 FITTING**

## MOUNTING OS-BASE SET-UP ON THE BIKE



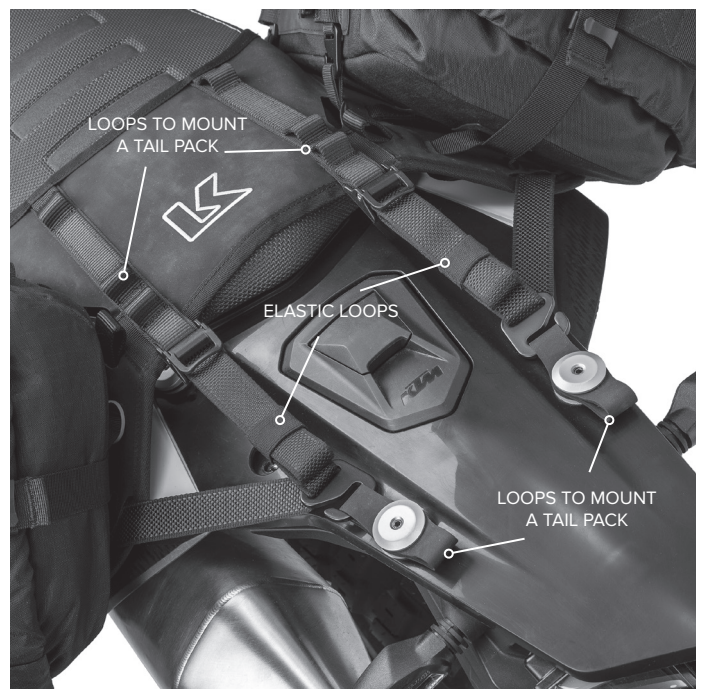
**1** Lay the OS-BASE over the motorcycle seat, forward from the final fitting position. Pass the front hook strap through the OS-HEEL PLATE and attach the hook to the web loop so the hook is pointing down. There are 4 web loop options giving some front and back adjustment for the final bag position. **(For a Husqvarna 701 you must use loop 3 to avoid the OS-Base touching the silencer)** Make sure you select the same position on each side.



**2** Set the top straps to the longest length and slide the elastic loop near to the buckle. Hook each top strap onto the rear OS-RACK LOOPS.



**3** Standing at the rear of the bike hold both loose strap ends and pull until the OS-BASE is firmly mounted on the seat. A strong tap downwards on each OS-PACK will help the OS-BASE slide further onto the seat.



**4** Once the OS-BASE is tight on the seat, fold over the loose strap ends and place them in the elastic loops.

You are ready to go.

To remove, simply loosen the straps and unhook, the complete set-up is off the bike in seconds.

## MOUNTING A CENTRE PACK

A unique feature of the OS-BASE system is that it allows you to mount one of your OS-PACKS as a single tail pack for shorter trips when the multi pack system is not required.

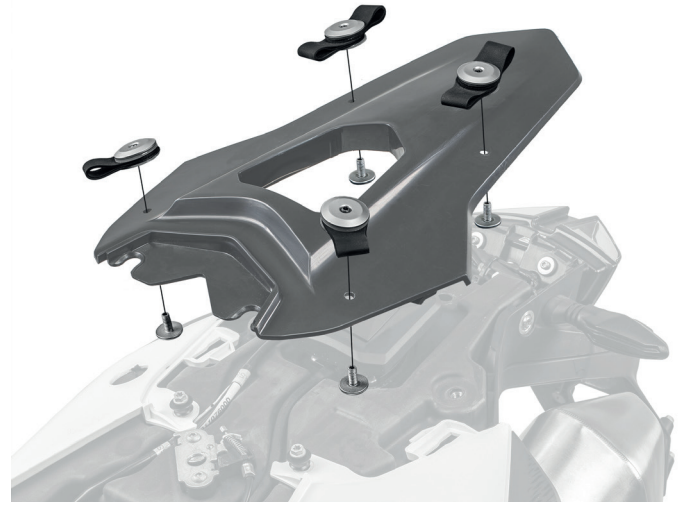
The OS-RACK LOOPS included mount to the rear fender and provide 4 hook-on points for a single OS-PACK or US-Drypack.



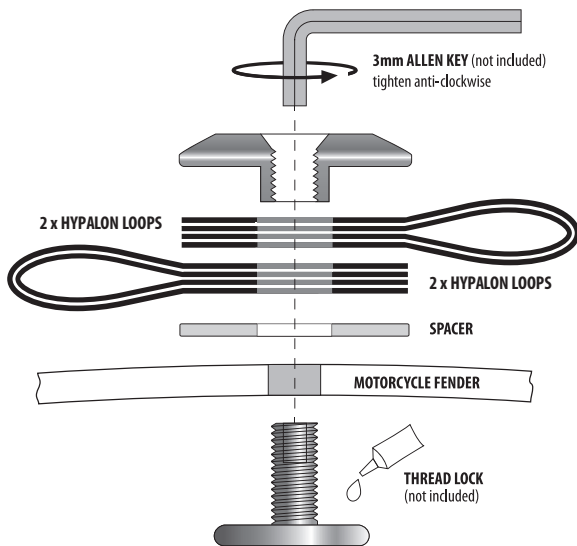
## FITTING THE OS-RACK LOOPS

Assemble the OS-RACK LOOP components as illustration below. Ensure when you hand tighten the lower fastener with a 3mm allen key you turn ANTI-CLOCKWISE. Before fully tightening apply a low strength thread lock.

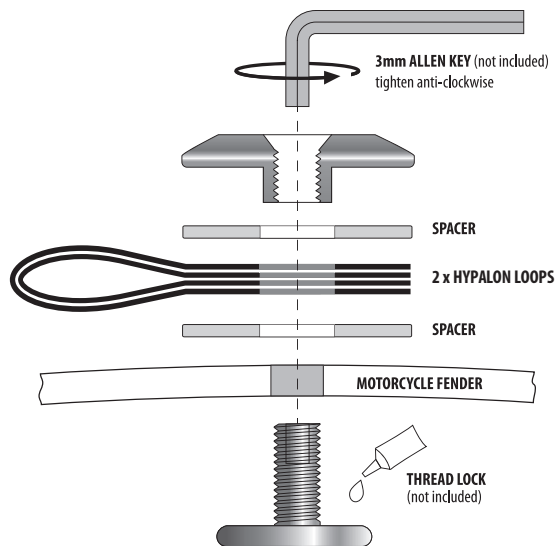
**IMPORTANT: ALLOW THE TREAD LOCK TO CURE BEFORE USE, USUALLY 24 HOURS.**



### DOUBLE OS-RACK LOOP



### SINGLE OS-RACK LOOP



# Kriega®

*It is the owner's responsibility to ensure the OS-BASE is attached in such a way that it does not damage or put at risk the owner or the property of the owner. Do not exceed the UK legal speed limit. This product has only been tested for up to UK road legal speeds.*

**KRIEGA.COM**

KOSBA-C-FIT-1

#### BODYWORK DAMAGE DISCLAIMER

Even though most of the OS-BASE mounts on the seat, the sides can rub against the plastic side panels of the bike, resulting in minor abrasion. This can be further exaggerated if mud and dust get in between the OS-BASE and the plastics. **We strongly recommend applying a clear adhesive protective sheet to areas where abrasion may occur on your motorcycle.**